

The smallest desktop type PieRoller


new PRT

**Not only bakeries, confectionery shops, but also
bakery classes, research institutes, and homes**



A long-selling model that is popular
for its compact size and clean design

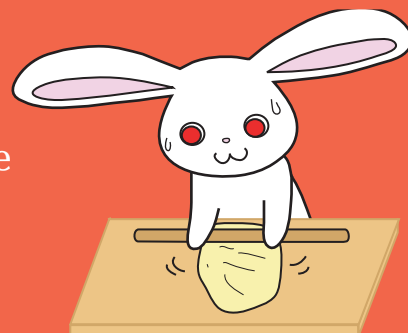
If you feel that manual work is difficult...

Compact pie roller that can be placed anywhere

Both the rolls and covers are made of stainless
steel and are hygienic

Optionally, it can be operated with 100 volts
for home use

Foot switch included



MASAKI

new PRT

Smallest tabletop pie roller

Compact

It is also very useful in small bakeries, confectionery stores, and laboratories

Powerfull

The thick roller with a diameter of 10 cm makes it easy to produce and manufacture laminated dough and form frozen dough.

Clean

Stainless steel roll and stainless steel cover for clean use.

Simple

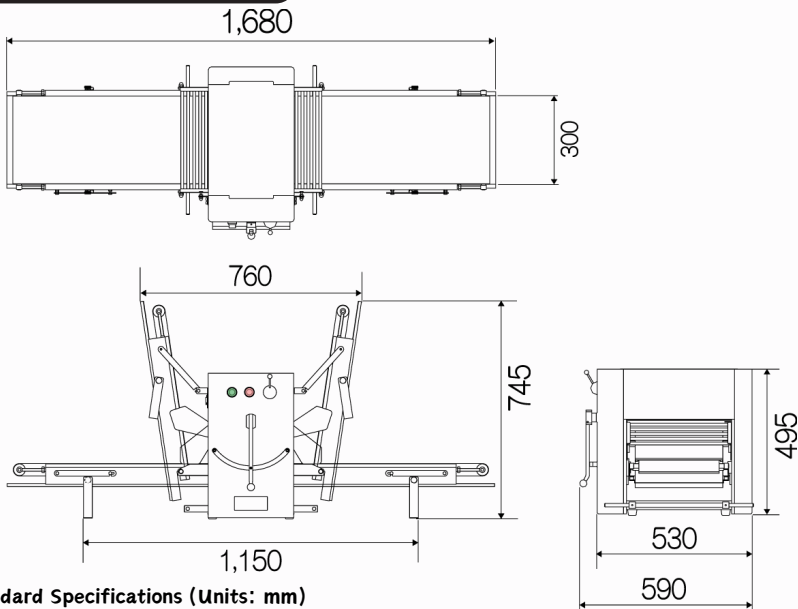
Easy operation by simply turning on the power and operating with a foot switch or lever.

Option

A dedicated stand is available, and it is possible to manufacture a 100-volt power supply specification for home use.



Dimensional Drawing (Units: mm)

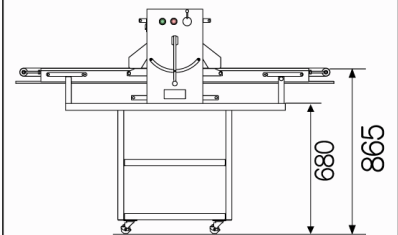


Standard Specifications (Units: mm)

Model	Roller length	Roller Diam.	Roller gap	Working dimensions	Dimensions-Closed	Dough Capacity	Motor	Weight
PRT	300	100	0.5 ~ 18	1,680×590×495	760×590×745	1.2kg	200V 3P 0.2kw	85kg

OPTION

○Dedicated Stand



○100V household power supply specifications are also available as options.



For product details and the latest information, please visit our website. If you are using a smartphone, please use the QR code on the right.



Masaki Machinery Co., Ltd.

318 Sunahara, Koshigaya City, Saitama Prefecture, 343-0803, Japan
TEL +81-48-974-3121 FAX+81-48-975-8576
<https://www.masakipr.com/>

The contents of this catalog are subject to change without notice.
This catalog was created in September 2024.